

**JKN****CAM SWITCH**

CE UL US LISTED

## Multi-step Cam Switch



### SPECIFICATIONS

ELEMENTS OF CONTACT POINT	AG
CONTACT RATING	10AMP, 16AMP, 20AMP, 25AMP / 600VAC
SAFETY APPROVAL	20 AMP/600V ( UL, CE)
DIELECTRIC STRENGTH	2500VAC 1MIN
MECHANICAL LIFE	1,000,000 CYCLES
ELECTRICAL LIFE	100,000 CYCLES
AMBIENT TEMPERATURE	STORAGE: -30 ~ +70 deg c
	OPERATING: -20 ~ +55 deg c
NUMBER OF STAGES	1 ~ 12 STAGES
SWITCHING POSITIONS	2 ~ 12 POSITIONS

### For Motor Load

RATED POWER / CONVENTIONAL THERMAL CURRENT	1 PHASE		3 PHASE		
	120VAC	220VAC	240VAC	380VAC	600VAC
16 AMP	1.5 HP	2.0 HP	2.5 HP	4.0 HP	6.0 HP
20/25 AMP	2.0 HP	3.0 HP	4.0 HP	6.0 HP	10.0 HP

PRODUCT CODE:

JC XXX XXXX XX

1 2 3

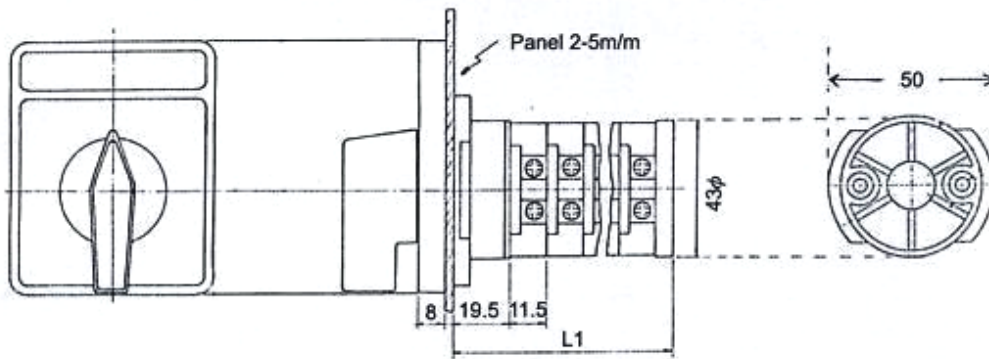
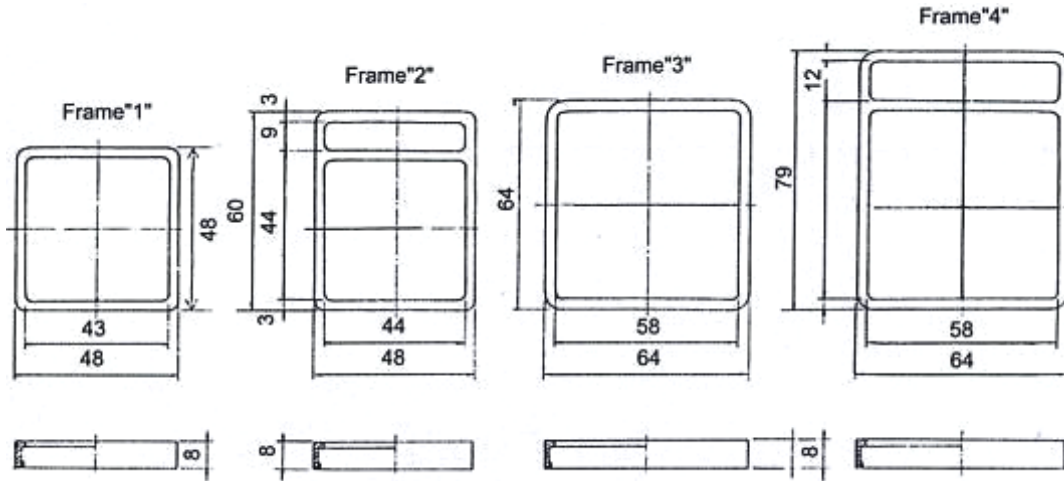
1) Contact Rating: 010, 016, 020, 025

2) Function code: 0001 to 9999

3) Mounting size: S1 (48), S2 (60), R1, R2

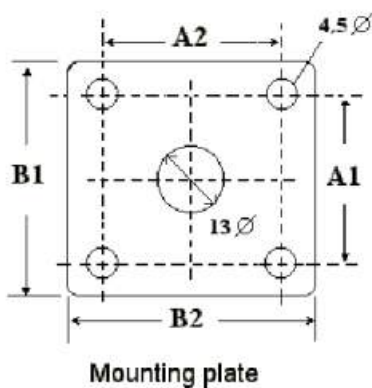
# DIMENSIONS

Unit : mm

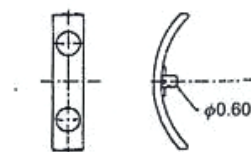


Total Number of Stages	1	2	3	4	5	6	7	8	9	10	11	12
Length L1	37	48.5	60	71.5	83	94.5	106	117.5	129	140.5	152	163.5

# PANEL CUT-OUT

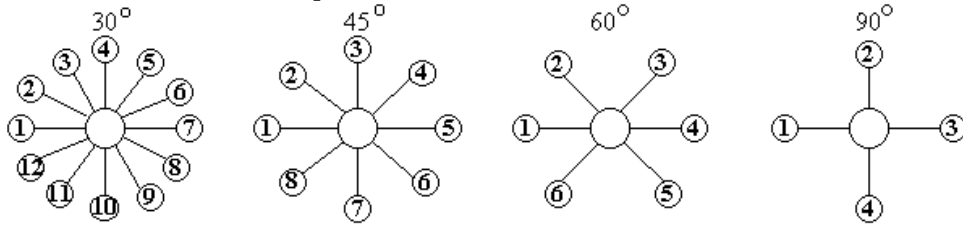


Frame Type	A1	A2
Frame 1 & 2	36	36
Frame 3 & 4	48	48



\*Optional finger protection terminal covers

**Operation Position**



**Name Plate**

ON/OFF & MULTI-STEP SWITCHES					

VOLTMETER SWITCHES			
AMMETER SWITCHES			
MOTOR CONTROL SWITCHES	 1Φ或3Φ正逆開關	 變極開關	 正逆加變極(1)      正逆加變極(2)

\* Various specifications for different applications.

For other special specifications upon customer's request.

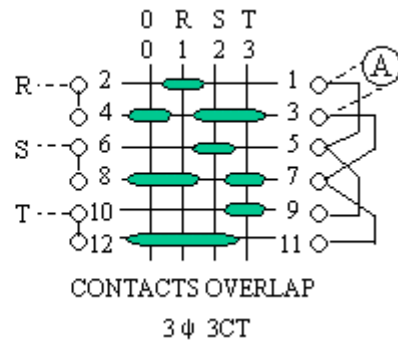
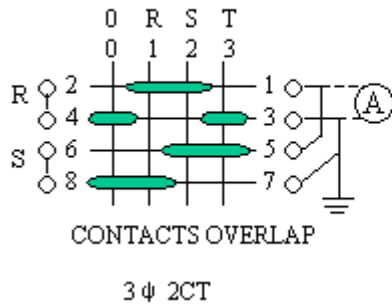
# Contact Configuration

## Ammeter switch

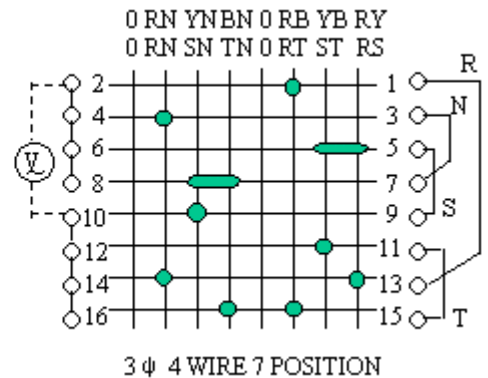
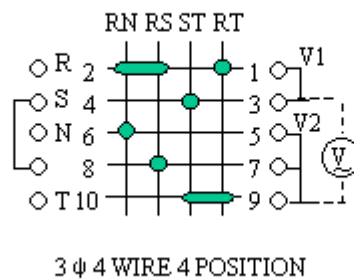
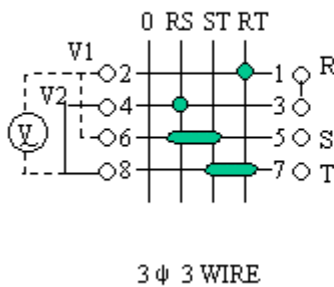
R = L1

S (Y) = L2

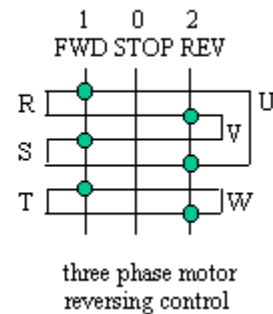
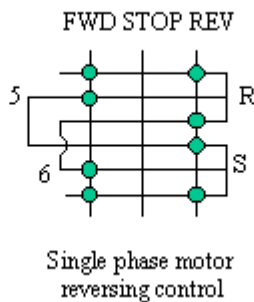
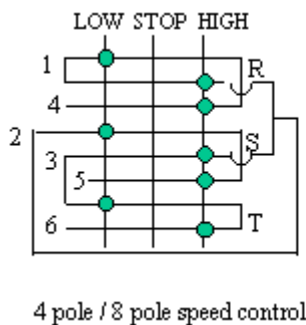
T (B) = L3



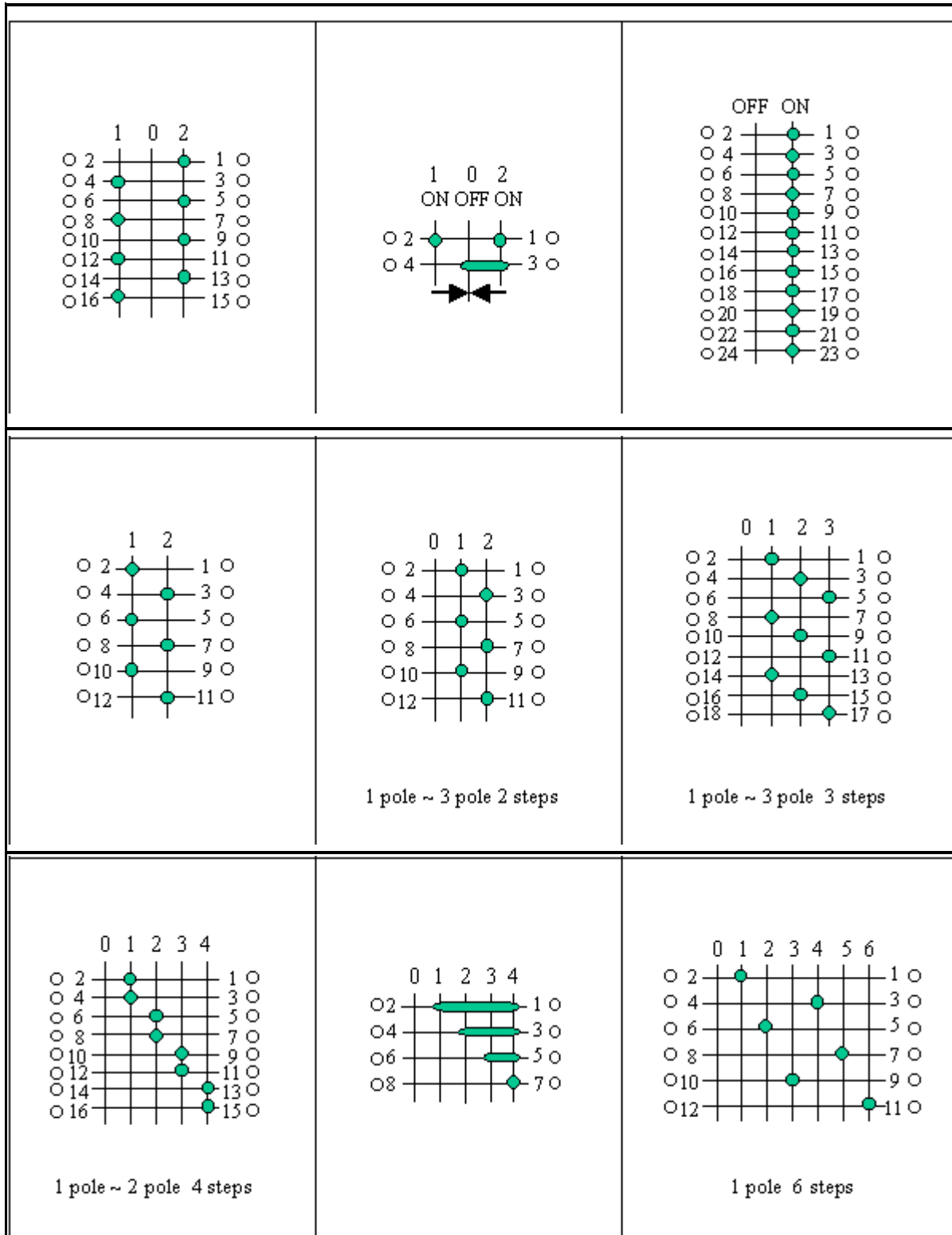
## Voltmeter switch



## Motor control



## Multi-step changeover



Other contact switching patterns are available upon customer's request.  
Optional finger protection terminal covers