
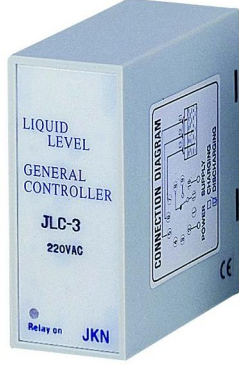
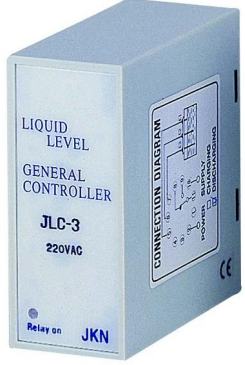


## LEVEL CONTROL RELAY

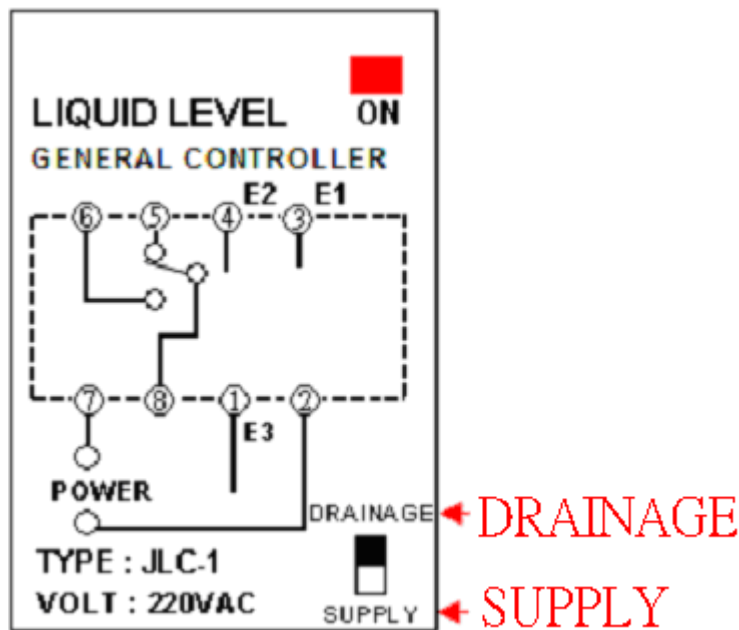
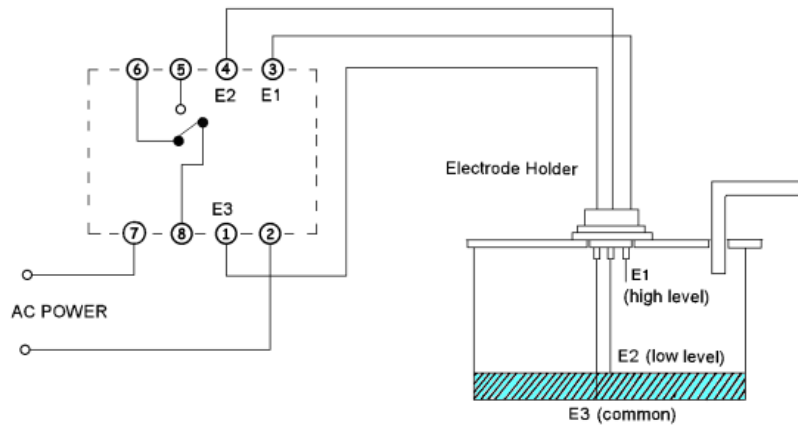
Model No.		JLC-1	JLC-2	JLC-3
Classification				
Appearance				
Features		Water Supply or Water Drainage for controlling conductive liquids under 40 kΩ	Water Supply for controlling conductive liquids under 40 kΩ	Water Drainage for controlling conductive liquids under 40 kΩ
Surface Mounting		Socket base <a href="#">8PFA</a>	Socket base <a href="#">P2CF11</a>	Socket base <a href="#">P2CF11</a>
Output Capacity		SPDT 7Amp / 250Vac		
Response Time of Relay		Standard : 0.5 SEC		
Frequency		50Hz or 60Hz		
Rated Voltage (Range:85%~110%)		110VAC , 220VAC , 380VAC , 415VAC		
LIFE	Mechanical	10,000,000 Times		
	Electrical AC220VPF=1	500,000 Times		
ACCURACY	Repeat	*****		
	Setting	*****		
	Voltage	*****		
	Temperature	*****		
Reset time		0.2 Sec Max		
Ambient temp. & Humidity		-10~55Deg.C , 85% Max		

**CONNECTION & OPERATION DIAGRAM**

(1) **JLC-1 (changeable for WATER SUPPLY or DRAINAGE)**

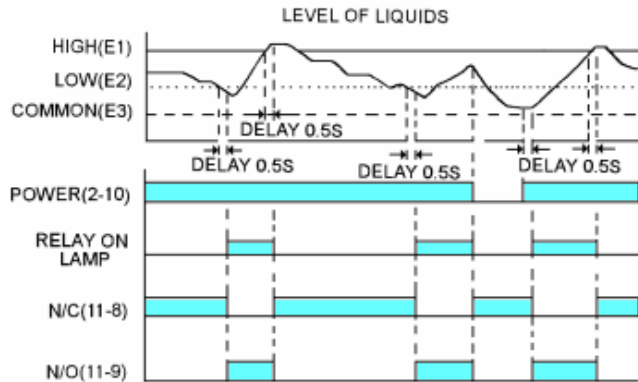
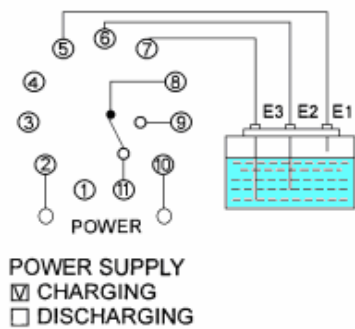
**WATER SUPPLY :** Output relay will be switched to ON (pin#8 & pin#6 connected) after 0.5 sec duration when liquid level is below than E2(low level) until level reaches E1 (high level) and lasting for 0.5 sec then relay OFF (pin8-6 disconnect)

**WATER DRAINAGE:** When liquid level is higher than E1, output relay will be switched (pin 8-6 connected) after 0.5 sec duration, and simultaneously pump starts to drain until level is downward under E2 (low level) for over 0.5 sec then relay transferred (8-6 disconnected) to stop drainage



**(2) JLC-2 (WATRE SUPPLY ONLY)**

Output relay will be switched to ON ( pin#11& pin#9 connected ) after 0.5sec duration when liquid level is below than E2 ( Low level ) until level reaches E1 ( High level ) lasting for over 0.5 sec. And then relay OFF ( pin#11-8 ).



**(3) JLC-3 (WATER DRAINAGE ONLY)**

When liquid level is higher than E1 and lasts 0.5sec duration, output relay will be switched ( pin#11-9 connected ), and simultaneously pump starts to drain until level is downward under E2 ( Low level ) for over 0.5 sec then relay turn OFF ( pin#11-8 connected).

