



HIGH PERFORMANCE DELAY ON TIMER

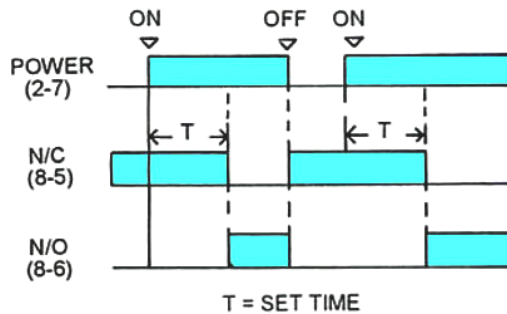
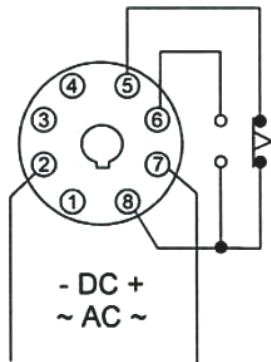
(Mono-Function/Time Range/Working Voltage)

Model No.		CAH3C	CSTP
Classification			
Appearance			
Dimensions		Surface mounting type : FIG. 2 Flush mounting type : FIG. 3	Surface mounting type : FIG. 4 Flush mounting type : FIG. 5
Surface mounting		Socket base PF085A	Socket base 8PFA
Flush mounting		Socket base P3G08 or US08	Socket base P3G08 or US08
Rated time range		Wide variety of timing ranges From 0.1S TO 10Hr	Wide variety of timing ranges From 0.1S TO 24Hr
Output Capacity 7A 250VAC		CAH3-N1/Y1 SPDT(Time-limit contacts) CAH3-N2/Y2 Mode A: DPDT Mode B: Instantaneous contact + SPDT(selectable)	CSTP-N1/Y1 SPDT(Time-limit contacts) CSTP-N2/Y2 DPDT CSTP-N3/Y3 Instantaneous contact + SPDT
Rated Voltage		50/60HZ 12VDC, 24VAC/DC, 110VAC, 220VAC (Range : 85% - 110%)	
LIFE	Mechanical	10,000,000 Times	
	Electrical AC220VPF=1	500,000 Times	
ACCURACY	Repeat	+/- 0.2% Max	
	Setting	+/- 5% Max	
	Voltage	+/- 0.5% Max	
	Temperature	+/- 2% Max	
Reset time		0.1 Sec Max	
Ambient temp. & Humidity		-10~55Deg.C , 85% Max	

CONNECTION DIAGRAM & TIMING CHART

SPDT:

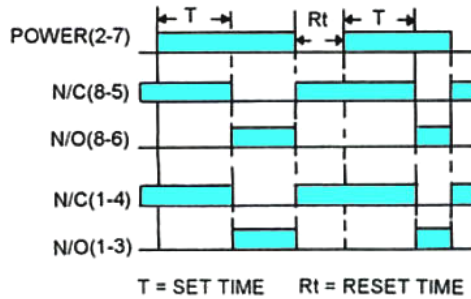
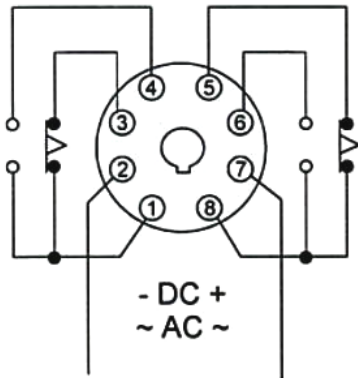
CAH3-N1 CAH3-Y1 CSTP-N1 CSTP-Y1





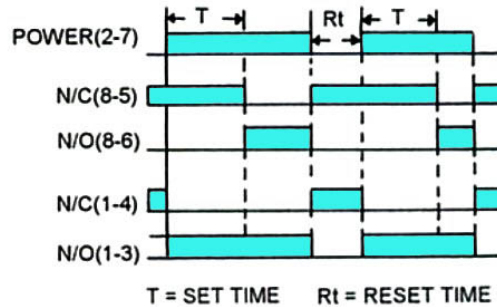
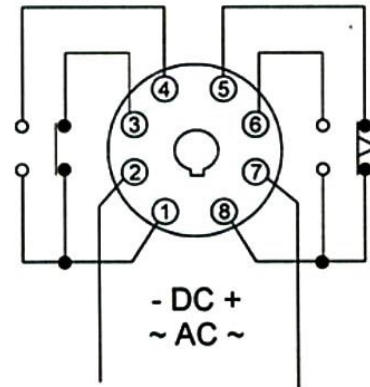
DPDT:

CAH3-N2 (MODE A) CAH3-Y2 (MODE A) CSTP-N2 CSTP-Y2



INSTANTANEOUS CONTACT + SPDT:

CAH3-N2 (MODE B) CAH3-Y2 (MODE B) CSTP-N3 CSTP-Y3



ORDERING CODE

