





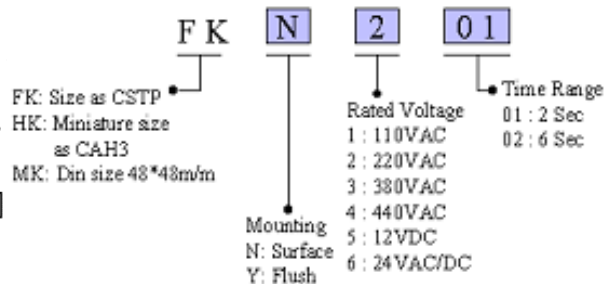
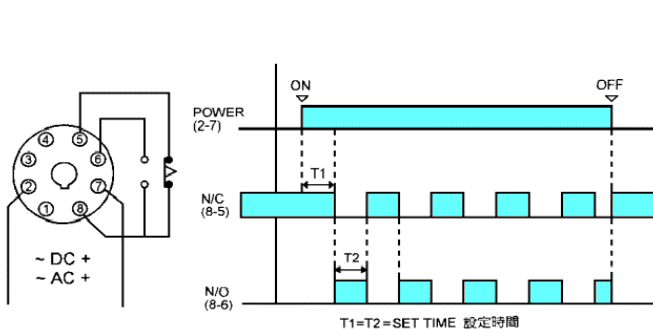
SYMMETRICAL RECYCLING TIMER

Model No.		JFK	JHK
Classification			
Appearance			
Dimensions		FIG. 4	FIG. 2
Surface mounting		Socket base 8PFA	Socket base PF085A
Features		OFF-ON equally recycling operation (OFF time period first) Recycling time is adjustable	
Output Capacity 7A		SPDT(1 delay contact)	
Time range		Standard : 2S, 6S	
Rated Voltage Range : 85% ~110%		50/60HZ 12VDC, 24VAC/DC, 110VAC, 220VAC, 380VAC, 415VAC, 440VAC	
LIFE	Mechanical	10,000,000 Times	
	Electrical AC220VPF=1	500,000 Times	
ACCURACY	Repeat	+/- 0.2% Max	
	Setting	+/- 5% Max	
	Voltage	+/- 0.5% Max	
	Temperature	+/- 2% Max	
Reset time		0.1 Sec Max	
Ambient temp. & Humidity		-10~55Deg.C , 85% Max	

CONNECTION DIAGRAM & TIMING CHART CODE

ORDERING

OUTPUT : SPDT (Delay contact 1C)



*48*48 adapter D-48Y should be ordered separately