


48*48mm DIN-SIZED ON DELAY ELECTRONIC TIMER

(Multi Function/Multi Time Range / 24-240 Universal Working Voltage)

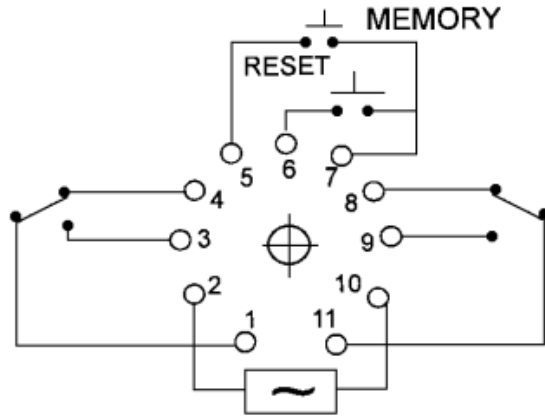
Model No.		JMB-41A , JMB-51A JMB-41A-MD , JMB-51A-MD JMB-41A-MS , JMB-51A-MS	
Classification			
Appearance & Dimensions			
Dimensions		FIG 1	
Supply	Rated frequency	50/60Hz +/-1Hz	
	Rated voltage	24~240VAC/DC universal	
	Disengaging value of input voltage	8.5VAC/DC	
	Supply tolerance	85% to 110%	
	Power consumption	240VAC/ 10VA, 24VAC/ 1.5VA, 24VDC/ 1.5VA	
Output	Relay contacts	SPDT or DPDT (Time-limit contacts) : 7A250VAC	
	Contact capacity	7A250VAC Resistive load,(AC-12)	UL: 10A250VAC Resistive load, (AC-12)
	Rated value for limiting continuous current Ith	7A/250VAC, 7A30VDC	UL: 10A/250VAC, 10A30VDC
	Mechanical life	10,000,000 operations	
	Max. permitted number of operations per hour	600 (at I max. 250VAC resistive load)	
	Electrical life	100,000 operations	
	Conditional short-circuit current	Shall be connected in series with the short circuit protective device like as 10A Fuse	
Accuracy	Repetition accuracy	+/- 0.2% Max	
	Setting accuracy	+/- 5% Max	
	Voltage accuracy	+/-0.5% Max	
	Temperature accuracy	+/-2% Max	
	Reset time	0.1 Sec Max	
Time range		JMB-41A: 1S-10S-1M-10M; JMB-51A: 1M-10M-1H-10H; (selectable by DIP switch "T")	
General spec.	Housing material	self – extinguishing	
	Ambient temperature	-10 ~ +45Deg.C	
	Ambient humidity	85% Max	
	Storage temperature	-25 ~ +55Deg.C	
	Transport temperature	-25 ~ +70Deg.C	
	Degree of pollution	2	
	Degree of protection	Housing : IP40, Socket: IP20	
	Overvoltage category	III	
	Dielectric strength	2000V 1 Min and Impulse 4800V	
	Mounting position	Panel mounted by clip	Base mounted on socket
Remarks	DO NOT OPERATE (OR TOUCH TO) DIP SWITCH WHEN TIMER IS CONNECTED TO POWER		

CONNECTION DIAGRAM

JMB-41A / JMB-51A

DPDT

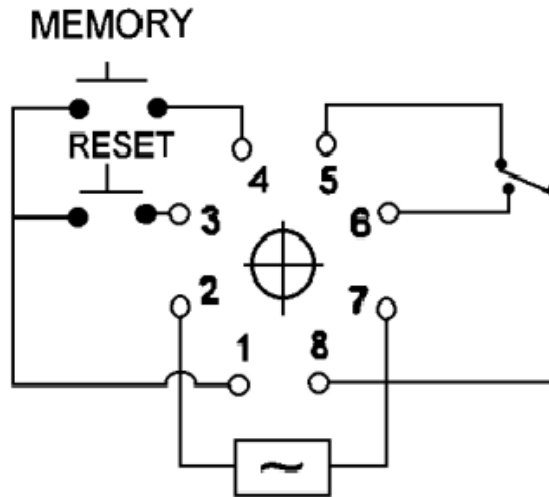
- POWER : PIN# 2-10
- MEMORY : PIN# 5-7
- RESET : PIN# 6-7
- N/C : PIN# 8-11 & 1-4
- N/O : PIN# 9-11 & 1-3



Note: Do not apply any Voltage on PIN# 5,6,7

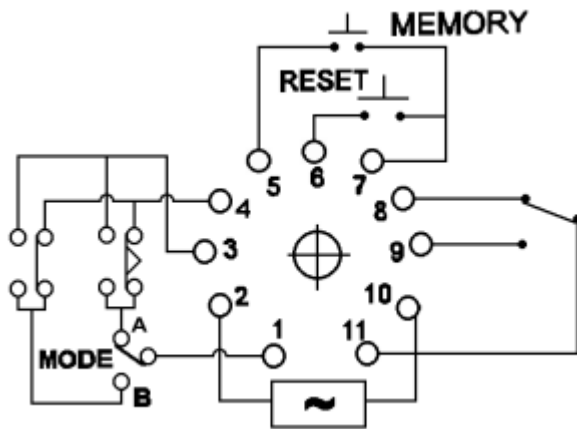
SPDT

- POWER : PIN# 2-7
- MEMORY : PIN# 1-4
- RESET : PIN# 1-3
- N/C : PIN# 8-5
- N/O : PIN# 8-6



Note: Do not apply any Voltage on PIN# 1,3,4

JMB-41A-MD / JMB-51A-MD



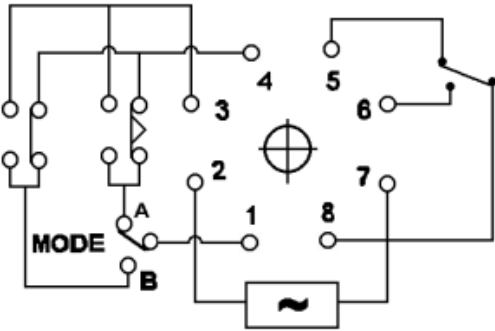
JMB-41A-MD/JMB-51A-MD(11-PIN)

- POWER :PIN#2-10
- MEMORY :PIN#5-7
- RESET :PIN#6-7
- N/C :PIN#8-11&1-4
- N/O :PIN9-11&1-3

Note : Do not apply any voltage on PIN#5.6.7

JKN

TIMER



*** JMB-41A-MS / JMB-51A-MS**
(8-PIN)
POWER : PIN#2-7
N/C : PIN#8-5 & 1-4
N/O : PIN#8-6 & 1-3

TIMING RANGE & FUNCTION SETING

MODEL NO.	TIMING RANGE	DIP SWITCH "T" (TIME RANGE) SETTING			
		0 0	1 0	0 1	1 1
JMB41A	SEC TO MIN	0.05SEC TO 1SEC	0.12SEC TO 10SEC	0.65SEC TO 1MIN	6SEC TO 10MIN
JMB51A	MIN TO HR	0.05MIN TO 1MIN	0.12MIN TO 10MIN	0.6MIN TO 1HOUR	1MIN TO 10HOUR

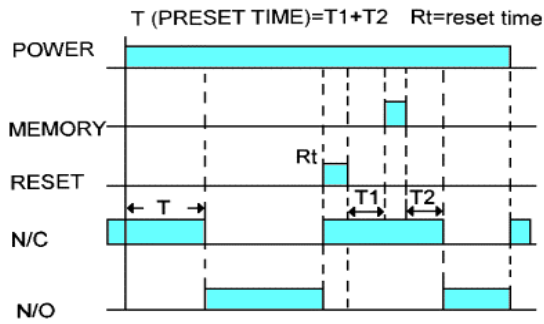
FUNCTION	DIP SWITCH "F" (FUNCTION) SETTING	DESCRIPTION
"ON"DELAY	0 0	Timing begins when power is applied to the unit. When the time delay setting is reached, the relay contact transfer. The timer is reset either by removing the input power, or by operating the optional customer supplied external "Reset" switch.
REPEAT CYCLE	1 0	Timing begins when power is applied to the unit. When the time delay setting is reached, the relay contact transfer, and remain transferred until the time delay setting is again reached. At this time, the relay contacts are then released returning to the the original state. The timer then automatically resets, and repeats the timing cycle until the input power is removed.
INTERVAL (REVERSE ON DELAY)	0 1	When power is applied, the relay contacts immediately transfer, and timing begins. When the time delay setting is reached, the relay contacts are released. The timer is reset either by removing the input power, or operating the optional customer supplied external "Reset" switch.
REVERSE REPEAT CYCLE	1 1	When power is applied, the relay contacts immediately transfer, and timing begins. The contacts remain transferred until the time delay setting is reached. Then the contacts are released. When the time delay setting is again reached, the contacts again transfer, and remain transferred until the time delay setting is again reached. The timer continues to automatically repeat the cycle until the power is removed.

RESET switch : When operated, resets the timer to zero. Requiring a customer supplied momentary switch.

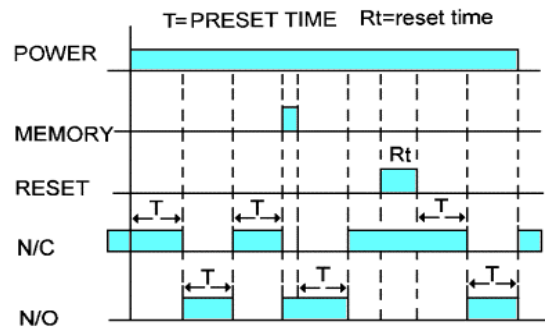
MEMORY switch : When operated, pauses the timing cycle at that point in the cycle. When released, allows the cycle to resume from the same point. Requiring a customer supplied momentary switch.

FUNCTION DESCRIPTION

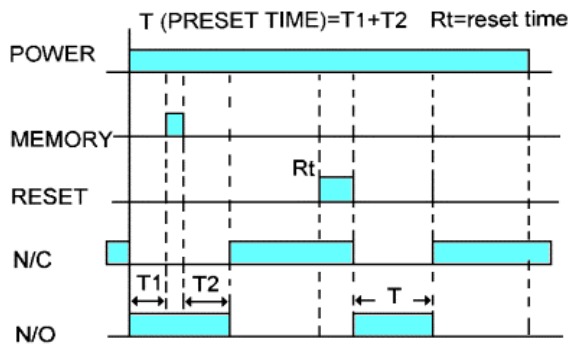
ON DELAY



REPEAT CYCLE



INTERVAL (REVERSE ON DELAY)



REVERSE REPEAT CYCLE

