


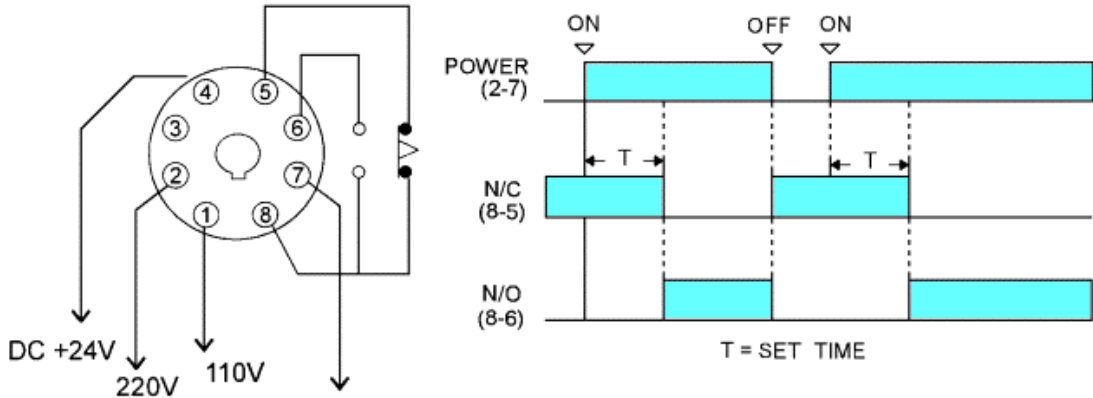
# 48\*48mm DIN-SIZED ON DELAY ELECTRONIC TIMER

( Multi Working Voltage/ Multi Time Range )

<b>Model No.</b>		JME-S , JME-M
<b>Classification</b>		
Appearance & Dimensions		
<b>Dimensions</b>		<a href="#">FIG. 1</a>
<b>Supply</b>	Rated frequency	50/60Hz +/- 1Hz
	Rated voltage	24VAC/DC, 110VAC, 220 • 240VAC contained
	Disengaging value of input voltage	32 +/-3%
	Supply tolerance	85% to 110%
	Power consumption	240VAC/ 15VA, 110VAC/ 5VA, 24VAC/ 1.5VA, 24VDC/ 1VA
<b>Output</b>	Relay contacts	SPDT ( Time-limit contacts ) : 7A250VAC
	Contact capacity	7A250VAC Resistive load, (AC-12)
	Rated value for limiting continuous current Ith	7A/250VAC, 7A30VDC
	Mechanical life	10,000,000 operations
	Max. permitted number of operations per hour	600 (at I max. 250VAC resistive load)
	Electrical life	100,000 operations
	Conditional short-circuit current	Shall be connected in series with the short circuit protective device like as 10A Fuse
<b>Accuracy</b>	Repetition accuracy	+/- 0.2% Max
	Setting accuracy	+/- 5% Max
	Voltage accuracy	+/- 0.5% Max
	Temperature accuracy	+/- 2% Max
	Reset time	0.1 Sec Max
<b>Time range</b>		JME-S: 3,12,100,780Sec; JME-M: 3,12,100,780Min; (selectable by DIP switch)
<b>General spec.</b>	Housing material	self - extinguishing
	Ambient temperature	-10 ~ +45Deg.C
	Ambient humidity	85% Max
	Storage temperature	-25 ~ +55Deg.C
	Transport temperature	-25 ~ +70Deg.C
	Degree of pollution	2
	Degree of protection	Housing : IP40, Socket: IP20
	Overvoltage category	III
	Dielectric strength	2000V 1 Min and Impulse 4800V
	Mounting position	Panel mounted by clip Base mounted on socket
<b>Remarks</b>	DO NOT OPERATE (OR TOUCH TO) DIP SWITCH WHEN TIMER IS CONNECTED TO POWER	

**CONNECTION DIAGRAM & TIMING CHART**

**OUTPUT : SPDT (Time - limit contacts)**



**TIME RANGE**

<b>Position of Time Range selector</b>	<b>1 1</b> A [Diagram] B	<b>1 1</b> A [Diagram] B	<b>1 1</b> A [Diagram] B	<b>1 1</b> A [Diagram] B
<b>Model No.</b>	<b>0 0</b>	<b>0 0</b>	<b>0 0</b>	<b>0 0</b>
<b>JME - S</b>	3S ( 0.3S ~ 3S )	12S ( 1.2S ~ 12S )	100S ( 10S ~ 100S )	780S ( 78S ~ 780S )
<b>JME - M</b>	3M ( 18S ~ 180S )	12M ( 72S ~ 12M )	100M ( 10M ~ 100M )	780M ( 78M ~ 780M )

**ORDERING CODE**

