


## HIGH PRECISION DIGITAL TIMER

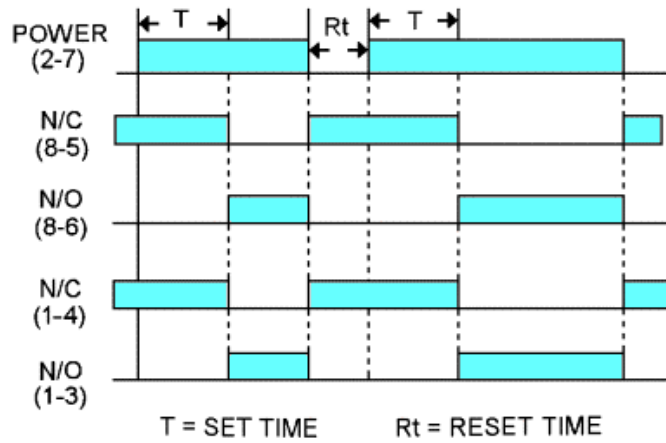
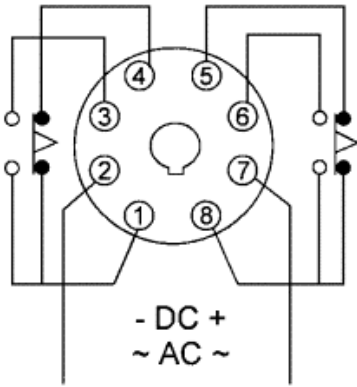
Model No.		JSY-2D	JSY-3D
Classification			
Appearance			
Dimensions		<a href="#">FIG. 5</a>	
Mounting		Flush mounting: Socket base <a href="#">P3G08</a> or <a href="#">US08</a>	
Features		Error-free digital setting and LED display Wide rated time range: 2-digit Timer-from 0.99 sec to 99 hour 3-digit Timer-from 9.99 sec to 999 hour Time range selectable by dip switch	
Output Capacity 7A		Alternative by DIP switch: Mode A: DPDT ( 2 Timer-limit contacts ) Mode B: Instantaneous contact + Timer-limit contact	
Rated time range		JSY-2D: 0.99 Sec, 9.9 Sec, 99 Sec, 9.9Min, 99 Min, 9.9 Hr, 99 Hr JSY-3D: 9.99 Sec, 99.9 Sec, 999 Sec, 99.9 Min, 999MIN, 99.9 Hr,999Hr	
Rated Voltage		50/60HZ 12VDC, 24VAC/DC, 110VAC, 220VAC (Range: 85% - 110%)	
LIFE	Mechanical	10,000,000 Times	
	Electrical AC220VPF=1	500,000 Times	
ACCURACY	Repeat	+/- 0.2% Max	
	Setting	+/- 5% Max	
	Voltage	+/- 0.5% Max	
	Temperature	+/- 2% Max	
Reset time		0.1 Sec Max	
Ambient temp. & Humidity		-10~55Deg.C , 85% Max	

## CONNECTION DIAGRAM & TIMING CHART

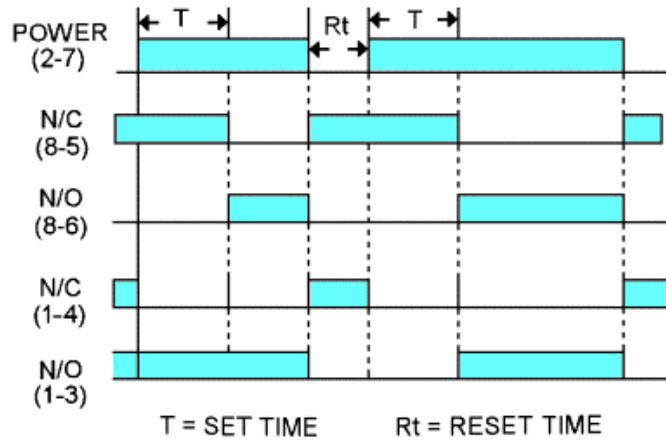
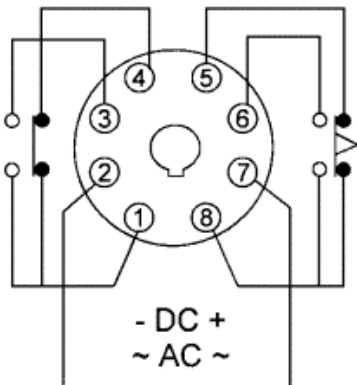
**OUTPUT:**

**DPDT**

**(Time - limit contact 2C)**



### Instantaneous Contact + Time-limit Contact



## ORDERING CODE

S Y 2 08

Rated Voltage  
 1 : 110VAC  
 2 : 220VAC  
 3 : 12VDC  
 4 : 23VAC/DC

Time Range	
2-digit	3-digit
01 : 0.99 Sec	08 : 9.99 Sec
02 : 9.9 Sec	09 : 99.9 Sec
03 : 99 Sec	10 : 999 Sec
04 : 9.9 Min	11 : 99.9 Min
05 : 99 Min	12 : 999 Min
06 : 9.9 Hr	13 : 99.9 Hr
07 : 99 Hr	14 : 9M59S
	15 : 9H59M